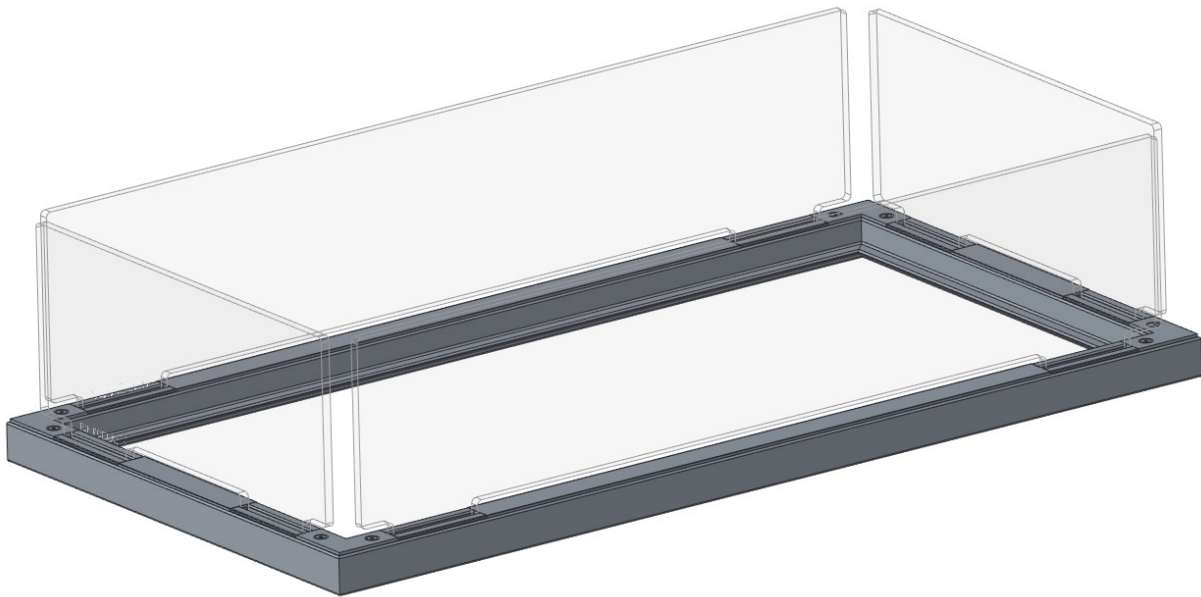








THE OUTDOOR  
GREATROOM  
COMPANY

## Folding Wind Guard

Assembly Instructions for FWG-1224 and FWG-1242



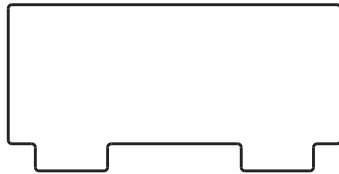
	<b>HOT GLASS WILL CAUSE BURNS</b>	<ul style="list-style-type: none"><li>• Keep children away</li><li>• CAREFULLY SUPERVISE children near fire pit.</li><li>• Alert children and adults to hazards of high temperatures.</li><li>• High temperatures may ignite clothing or other flammable materials.</li><li>• Clothing, furniture and other flammable materials must not be placed on or near the glass guard.</li><li>• Do not leave appliance unattended while burning.</li></ul>
	<b>DO NOT TOUCH GLASS UNTIL COOLED</b>	
<b>HOT SURFACE DO NOT TOUCH</b> 		

	<b>HOT GLASS WILL CAUSE BURNS</b>	<ul style="list-style-type: none"> <li>• Keep children away</li> <li>• CAREFULLY SUPERVISE children near fire pit.</li> <li>• Alert children and adults to hazards of high temperatures.</li> <li>• High temperatures may ignite clothing or other flammable materials.</li> <li>• Clothing, furniture and other flammable materials must not be placed on or near the glass guard.</li> <li>• Do not leave appliance unattended while burning.</li> </ul>
	<b>DO NOT TOUCH GLASS UNTIL COOLED</b>	
<b>HOT SURFACE DO NOT TOUCH</b> 	<b>NEVER ALLOW CHILDREN TO TOUCH GLASS</b>	

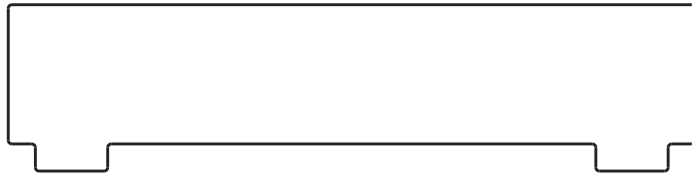
## CONTENTS

Included Parts .....	1
Assembly Instructions .....	2
Converting To Cover / Tabletop Configuration .....	3
Care and Maintenance .....	3
Glass Guards Limited Warranty .....	4

### 1. INCLUDED PARTS



Short Glass Panel 2X




Long Glass Panel 2X



Frame 1X

## 2. ASSEMBLY INSTRUCTIONS

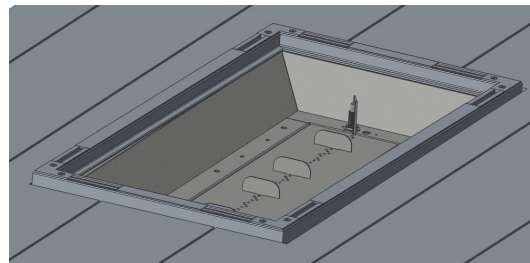
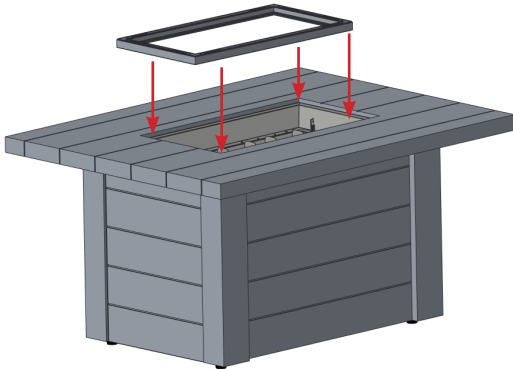
	<p><b>HOT GLASS WILL CAUSE BURNS</b></p>	<ul style="list-style-type: none"> <li>• Keep children away</li> <li>• CAREFULLY SUPERVISE children near fire pit.</li> <li>• Alert children and adults to hazards of high temperatures.</li> <li>• High temperatures may ignite clothing or other flammable materials.</li> <li>• Clothing, furniture and other flammable materials must not be placed on or near the glass guard.</li> <li>• Do not leave appliance unattended while burning.</li> </ul>
	<p><b>DO NOT TOUCH GLASS UNTIL COOLED</b></p>	
<p><b>HOT SURFACE DO NOT TOUCH</b></p>	<p><b>NEVER ALLOW CHILDREN TO TOUCH GLASS</b></p>	

### A. UNPACKING

Remove parts from packaging. Check parts for any damages before assembly. Do not discard any packaging until glass guard is assembled.

### B. ASSEMBLING THE GLASS

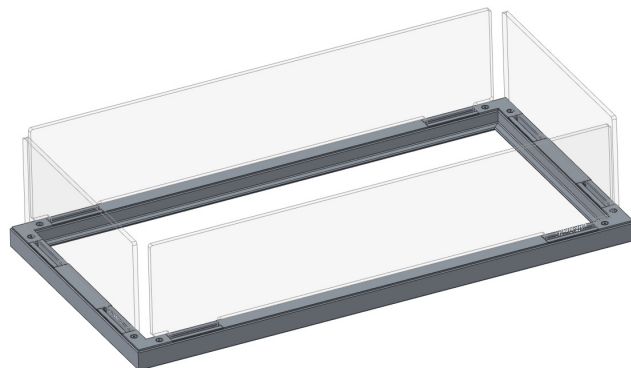
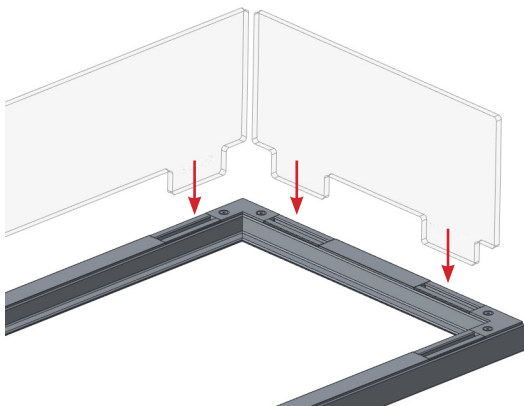
- Place frame on table, aligning over burner. (As shown below)




- Insert glass panels in upright wind guard configuration: (As shown below)

**A.** Press firmly down until you feel the panel “lock” into place.

**B.** Repeat with all 4 panels.

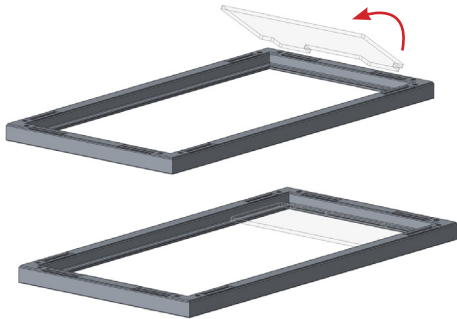


### 3. CONVERTING TO COVER / TABLETOP CONFIGURATION

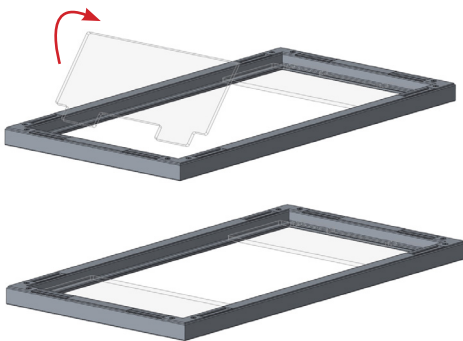
	<p><b>HOT GLASS WILL CAUSE BURNS</b></p>	<ul style="list-style-type: none"> <li>• Keep children away</li> <li>• CAREFULLY SUPERVISE children near fire pit.</li> <li>• Alert children and adults to hazards of high temperatures.</li> <li>• High temperatures may ignite clothing or other flammable materials.</li> <li>• Clothing, furniture and other flammable materials must not be placed on or near the glass guard.</li> <li>• Do not leave appliance unattended while burning.</li> </ul>
	<p><b>DO NOT TOUCH GLASS UNTIL COOLED</b></p>	
<p><b>HOT SURFACE DO NOT TOUCH</b></p>	<p><b>NEVER ALLOW CHILDREN TO TOUCH GLASS</b></p>	

**A.** Wait for glass to cool before converting cover/tabletop configuration.

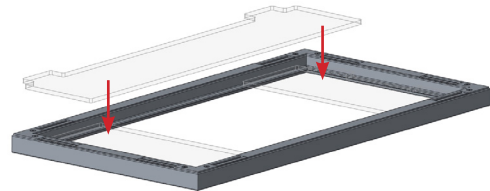
**B.** Remove one of the short sides from the frame and lay flat onto the flange of the frame.



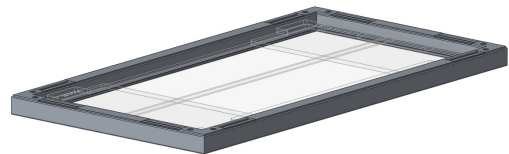
**C.** Repeat step B with the other short panel.



**D.** Remove the long glass panel from the frame and lay flat on top of the short glass panel.



**E.** Repeat step D with the other long panel.



**WARNING**

**WAIT FOR GLASS TO FULLY COOL BEFORE HANDLING.**

**WARNING**

**NEVER OPERATE FIRE PIT WITH THE GLASS DOWN IN THE TABLE TOP CONFIGURATION.**

### 4. CARE AND MAINTENANCE

Clean glass with water, vinegar or a streak-free glass cleaner and soft cloth.

**Never attempt to clean glass while hot.**

**WARNING**

Do not touch glass while the fire pit is in operation. Glass will remain hot for approximately **20** minutes after shutting down the fire pit. Do not touch the wind guard until the glass has fully cooled to avoid serious injury.

**WARNING**

Do not operate fire pit with cracked, chipped or damaged glass panels.

Replace any damaged glass before using this assembly with fire pit.

## 5. GLASS GUARDS LIMITED WARRANTY

The Outdoor GreatRoom Company extends the following warranty for Outdoor GreatRoom Glass Guards used in the United States of America or Canada. Dealers and employees of The Outdoor GreatRoom Company have no authority to make any warranty or authorize any remedies in addition to or inconsistent with the terms of this warranty. This warranty gives you specific legal rights. You may also have other rights that vary from state to state.

The Outdoor GreatRoom Company warrants that this Outdoor GreatRoom Glass Guard (the “Product”) will be free from defects in material and workmanship for a period of 90 days from its date of purchase. Stainless steel parts and assemblies carry a limited lifetime warranty. This warranty is subject to the conditions, exclusions and limitations described below.

This warranty applies only to the original owner of the Product and is non-transferable. The Outdoor GreatRoom Company obligation under this warranty does not extend to damages resulting from (1) assembly, operation or maintenance of the Product not in accordance with the Installation/Assembly Instructions, Operating Instructions and the Listing Agency Identification Label furnished with the Product; (2) installation or use which does not comply with local building codes and ordinances; (3) shipping, improper handling, improper operation, abuse, misuse, accident or unworkmanlike repairs; (4) use of fuels other than those specified in the Operating Instructions; (5) Installation or use of components not supplied with the Product or any other components not expressly authorized and approved in writing by The Outdoor GreatRoom Company; and/or (6) modification of the Product not expressly authorized and approved in writing by The Outdoor GreatRoom Company. Any of the circumstances described in the previous sentence voids this warranty. This warranty is void if the Product or any component has been removed, repaired, or replaced before The Outdoor GreatRoom Company has been afforded a reasonable opportunity to inspect the Product. This warranty is limited to the replacement or repair of defective components or workmanship and The Outdoor GreatRoom Company may fully discharge its obligations under this warranty by repairing or replacing, at its discretion, the defective components. The Outdoor GreatRoom Company will provide replacement parts at no charge and will pay reasonable and necessary labor and freight costs related to replacing or repairing defective components under this warranty. The maximum amount recoverable under this warranty is limited to the purchase price of the Product and, if The Outdoor GreatRoom Company is unable to provide replacement or repair in an expedient and cost-effective manner, The Outdoor GreatRoom Company may discharge all obligations under this warranty by refunding the purchase price of the Product.

EXCEPT TO THE EXTENT PROVIDED BY LAW, THE OUTDOOR GREATROOM COMPANY MAKES NO EXPRESS WARRANTIES OTHER THAN THE WARRANTY EXPRESSED HEREIN. THE DURATION OF ANY IMPLIED WARRANTY IS LIMITED TO THE DURATION OF THE WARRANTY SPECIFIED ABOVE. IN NO EVENT SHALL THE OUTDOOR GREATROOM COMPANY BE LIABLE FOR ANY INCIDENTAL OR CONSEQUENTIAL DAMAGES CAUSED BY DEFECTS IN THE PRODUCT. Some states do not allow limitations on how long an implied warranty lasts, or do not allow exclusion or limitation of incidental or consequential damages, so these limitations may not apply to you.

### **To obtain service under this warranty, you must:**

1. Send written notice of the claimed condition to: The Outdoor GreatRoom Company, 14400 Southcross Drive, Suite #100, Burnsville, MN 55306.
2. Affirm that you are the original owner of the Product.
3. Provide The Outdoor GreatRoom Company reasonable opportunity to investigate the claim, including reasonable opportunity to inspect the Product prior to any repair or replacement work and before the Product or any component of the Product has been removed.