

installation instructions:

# CAPITAL/PLINTH/BASE

## SAFETY INSTRUCTIONS

Make sure to use the correct tools recommended.

Wear proper protective gear.

Follow fixture, power tools, paint manufacturers' instructions, and users manuals.

Use common sense and follow good construction practices.

### TOOL & MATERIAL CHECKLIST

- construction adhesive
- rag
- nail gun
- finishing nails
- extra fine sandpaper
- paint

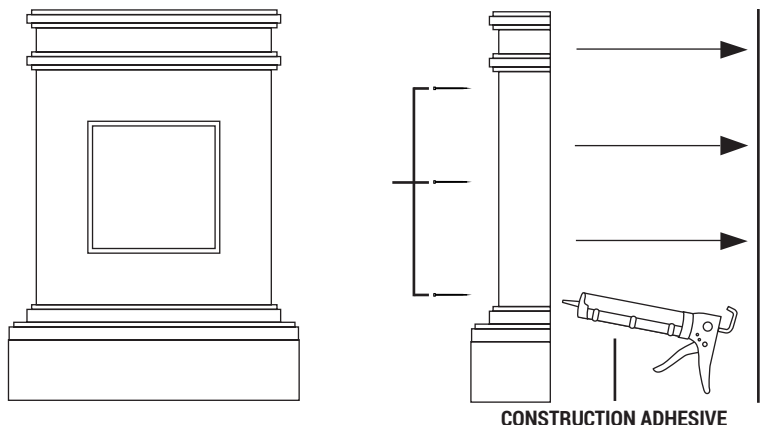
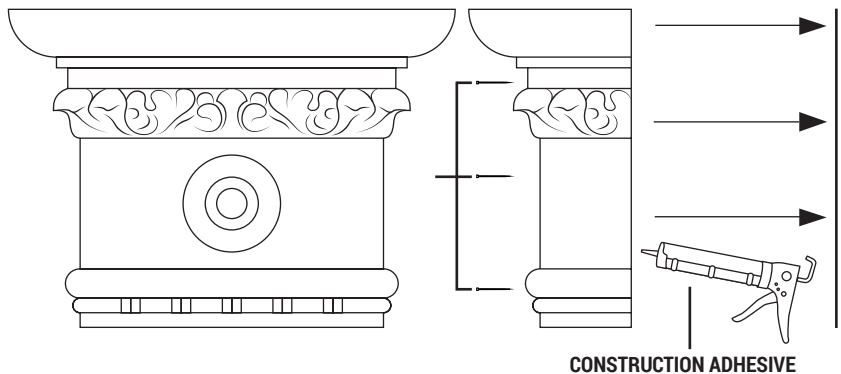
### SPECIAL INSTRUCTIONS AND NOTES

- It is highly recommended that you paint/finish our capitals and bases with 100% acrylic latex paint before installation. Once installed, you can apply any necessary touchup paint/finish.
- Clean installation surface and back of all dirt and dust with a clean cloth or sponge.
- Make sure that the surface and the back are completely dry before attempting installation.
- Measure and mark the location where the cap or base is going to be installed.

### STEP BY STEP INSTRUCTIONS

1. Lay the capital, plinth or base face down on a soft surface that will not scratch/dent the surface detail.
2. Apply small bead of construction adhesive all the way around the back edge of the product you are installing.
3. Line up the capital edge with the top edge of the pilaster and the base edge with the bottom edge of the pilaster for seamless installation.
4. When pressing the capital, plinth or base up against the installation surface, some adhesive may seep out, wipe away excess adhesive around the edge with finger or rag.
5. Secure with finishing nails for additional support.

### EXAMPLE INSTALLATION DIAGRAMS



www.ekenamillwork.com  
We Can Help. Call (866) 607-0453



**EKENA**  
MILLWORK

Industry leading manufacturer of urethane, PVC, wood, rustic, and metal millwork